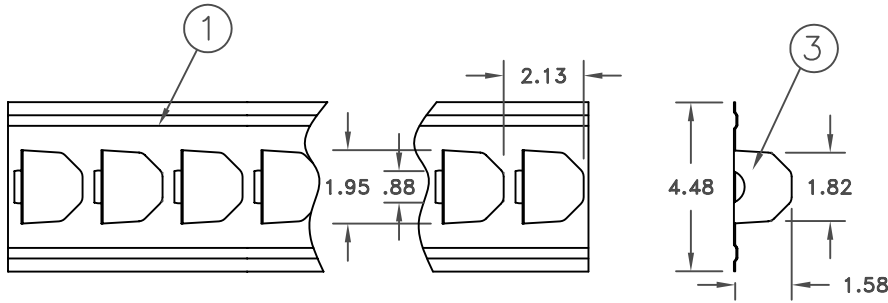


WARD RAIL

2" and 4" Rail

RAL



SPECIFICATIONS:

1. Rollformed 22 gauge 2" rail
2. Rollformed 22 gauge 4" rail
3. Rail installation tab

NOTES:

1. Available in the following materials:
 - Galvanized
 - Aluminum
 - Stainless Steel
 Contact factory for availability of other materials.
2. Available in 10' lengths. Contact factory for custom lengths.
3. Self-aligning tabs for easy vane installation.
4. Rail has extra wide margin for easy fastening.
5. Rail stacks to minimize shipping and storage space requirements.

JOB NAME: _____ LOCATION: _____ ARCHITECT: _____ ENGINEER: _____ CONTRACTOR: _____	SUBMITTED BY: _____
--	---------------------------------



500 E. Eighth Street • Holland, MI 49423
 T (800) 466-9374 • F (866) 466-9335 • www.wardind.com