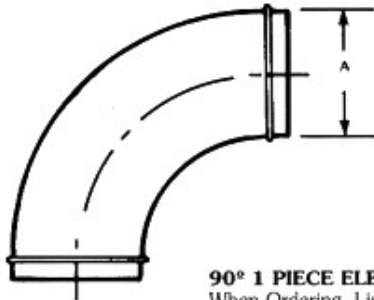




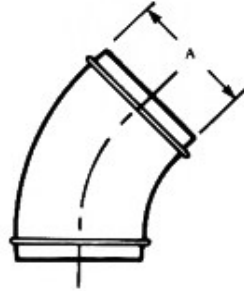
# ZEN Industries Inc.

2340 East 69<sup>th</sup> Street  
 Cleveland, Ohio 44104  
 PH. 216-432-3240  
 F. 216-432-3241  
 WWW.ZENindustries.com

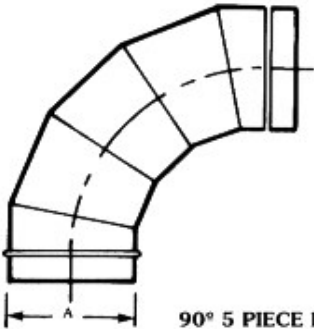
## ZEN Industries Round Fittings Order Information



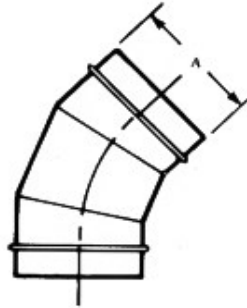
**90° 1 PIECE ELBOW**  
 When Ordering, List: A  
 Centerline Radius = 1.5 x A  
 Sizes: 3" Thru 12"



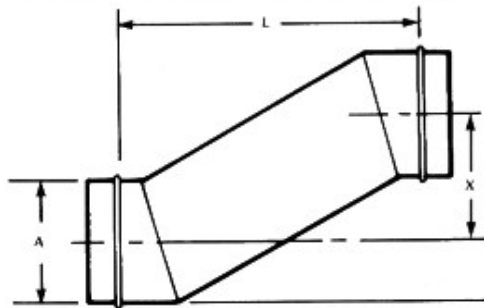
**45° 1 PIECE ELBOW**  
 When Ordering, List: A  
 Centerline Radius = 1.5 x A  
 Sizes: 3" Thru 12"



**90° 5 PIECE ELBOW**  
 When Ordering, List: A  
 Centerline Radius = 1.5 x A



**45° 3 PIECE ELBOW**  
 When Ordering, List: A  
 Centerline Radius = 1.5 x A



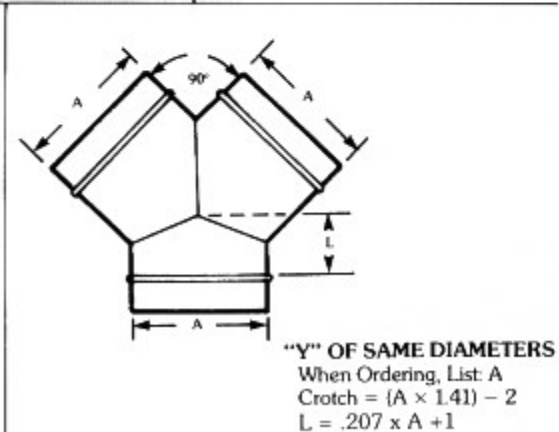
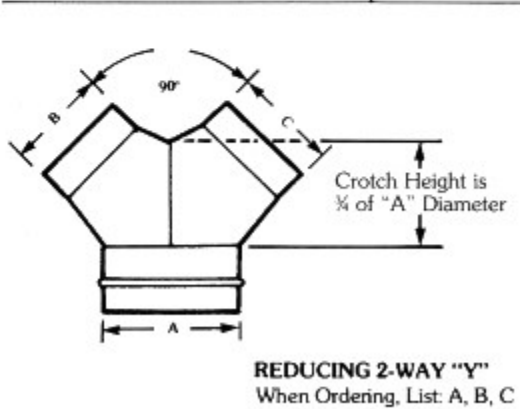
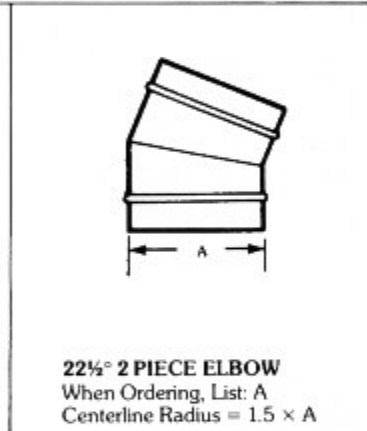
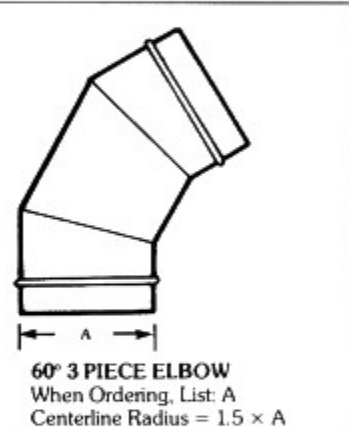
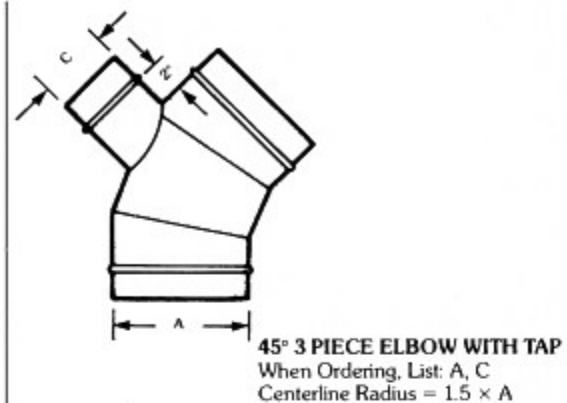
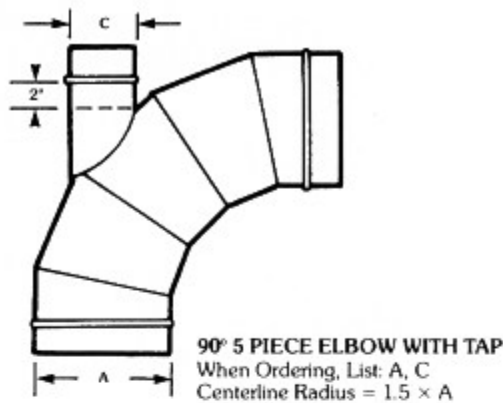
**OFFSET**  
 When Ordering, List: A, X, L

**ALL ELBOWS**  
 23" Throat Radius + Larger  
 No. "S" is Added (2" Bead is Lost From Radius)



# ZEN Industries Inc.

2340 East 69<sup>th</sup> Street  
 Cleveland, Ohio 44104  
 PH. 216-432-3240  
 F. 216-432-3241  
 WWW.ZENindustries.com

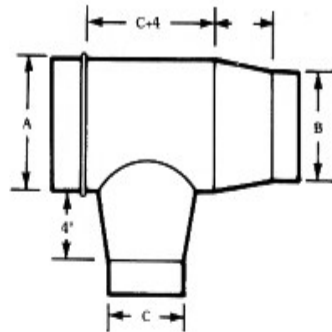


**ALL ELBOWS**  
 23" Throat Radius + Larger  
 No. "S" is Added (2" Bead is Lost From Radius)

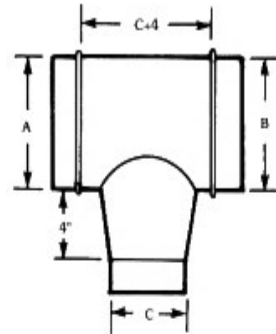


# ZEN Industries Inc.

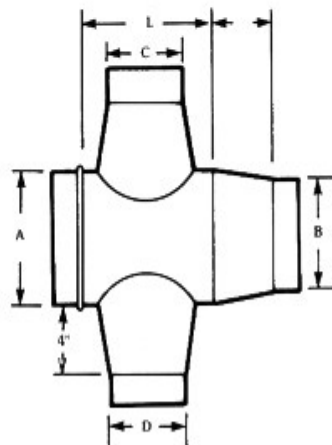
2340 East 69<sup>th</sup> Street  
 Cleveland, Ohio 44104  
 PH. 216-432-3240  
 F. 216-432-3241  
 WWW.ZENindustries.com



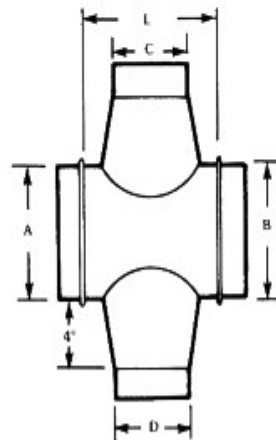
**REDUCING CONICAL TEE**  
 When Ordering, List: A, B, C



**CONICAL TEE**  
 When Ordering, List: A, B, C



**REDUCING CONICAL CROSS**  
 When Ordering, List: A, B, C, D  
 L = Larger of C or D, + 4"

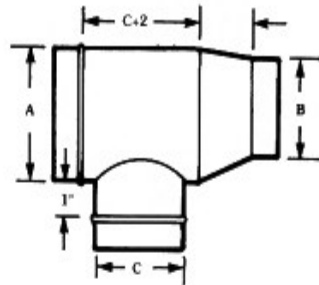


**CONICAL CROSS**  
 When Ordering, List: A, B, C, D, L  
 L = Larger of C or D, + 4"

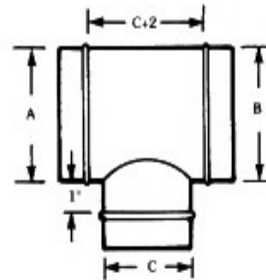


# ZEN Industries Inc.

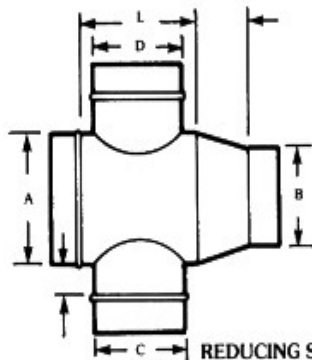
2340 East 69<sup>th</sup> Street  
 Cleveland, Ohio 44104  
 PH. 216-432-3240  
 F. 216-432-3241  
 WWW.ZENindustries.com



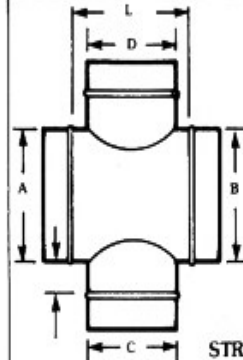
**REDUCING STRAIGHT TEE**  
 When Ordering, List: A, B, C



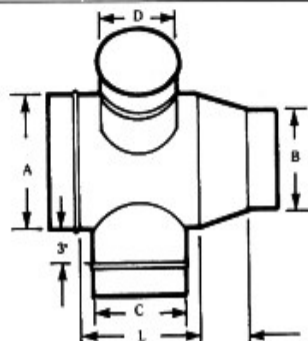
**STRAIGHT TEE**  
 When Ordering, List: A, B, C



**REDUCING STRAIGHT CROSS**  
 When Ordering, List: A, B, C, D  
 L = Larger of C or D, + 2"



**STRAIGHT CROSS**  
 When Ordering, List: A, B, C, D  
 L = Larger of C or D, + 2"



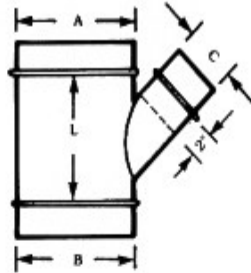
**REDUCING 135° STRAIGHT CROSS**  
 When Ordering, List: A, B, C, D  
 L = Larger of C or D, + 2"



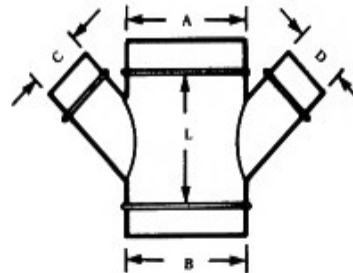
# ZEN Industries Inc.

2340 East 69<sup>th</sup> Street  
 Cleveland, Ohio 44104  
 PH. 216-432-3240  
 F. 216-432-3241  
 WWW.ZENindustries.com

All Laterals Get 2" Throats



**LATERAL TEE**  
 When Ordering, List: A, B, C

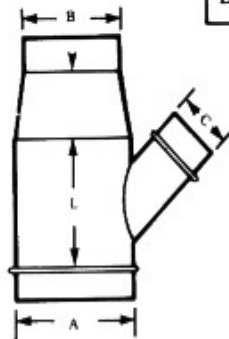


**LATERAL CROSS**  
 When Ordering, List: A, B, C

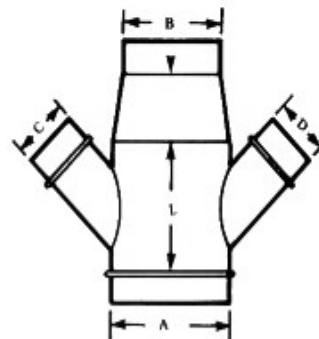
**45° LATERAL**  
 $L = (C \text{ or } D \times 1.41) + 2"$

**30° LATERAL**  
 $L = (C \text{ or } D \times 2) + 2"$

**60° LATERAL**  
 $L = (C \text{ or } D \times 1.15) + 2"$



**REDUCING LATERAL TEE**  
 When Ordering, List: A, B, C

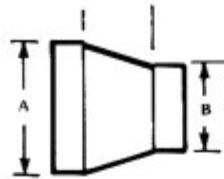


**REDUCING LATERAL CROSS**  
 When Ordering, List: A, B, C



# ZEN Industries Inc.

2340 East 69<sup>th</sup> Street  
 Cleveland, Ohio 44104  
 PH. 216-432-3240  
 F. 216-432-3241  
 WWW.ZENindustries.com



Item #26

### REDUCER

When ordering, List: A,B

Reducer Length = A-B

Reducer Minimum = 2" Tall



**CONICAL TEE WITH 1/2" FLG. OUT**  
 When Ordering, List: A, C



**LATERAL TEE WITH 1/2" FLG. OUT**  
 When Ordering, List A, C



**PIPE COUPLING**  
 When Ordering, List: A



**END CAP**  
 When Ordering, List: A  
 Specify P.S. (Female Size)  
 F.S. (Male Size)

**SQUARE TO ROUND**  
 When Ordering, List: A, B, L  
 Specify what connection is  
 needed on A End.

