



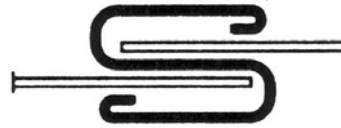
## Seams and Connectors

BASED ON 3<sup>rd</sup> Edition 2005 SMACNA STANDARDS

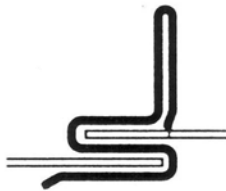
### Connector Types



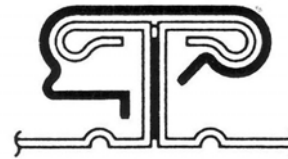
T-1 Drive



T-6 'S' Slip

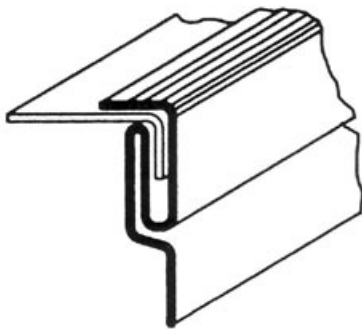


T-11 Standing 'S'

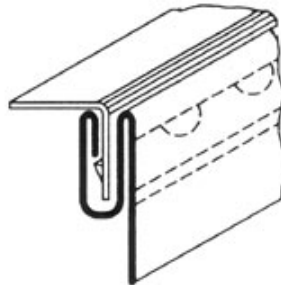


T-25b Flanged (TDF)

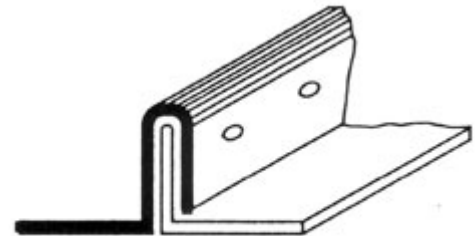
### Seam Types



Pittsburgh Lock



Snap Lock



Standing Seam