



Standard Duct Sealing Requirements

BASED ON 3rd Edition 2005 SMACNA STANDARDS

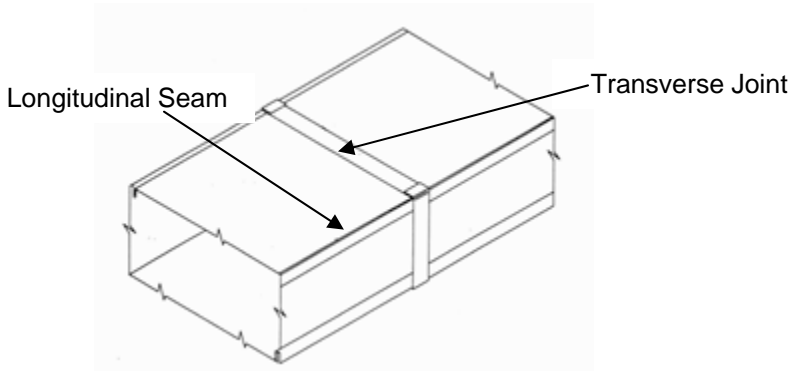
Seal Class	Sealing Requirements	Applicable Static Pressure Construction Class
A	Class A: All Transverse joints, longitudinal seams, and duct wall penetrations.	4" w.g. and up (1000 Pa)
B	Class B: All Transverse joints and longitudinal seams only.	3" w.g. (750 Pa)
C	Class C: Transverse joints only.	2" w.g. (500 Pa)

In addition to the above, any variable air volume system duct of 1" (250 Pa) and ½" w.g. (125 Pa) construction class that is upstream of the VAV boxes shall meet Class C.

Unreinforced Duct

BASED ON 3rd Edition 2005 SMACNA STANDARDS

Ducts with flat slip connectors and no reinforcement.



Joint Options

