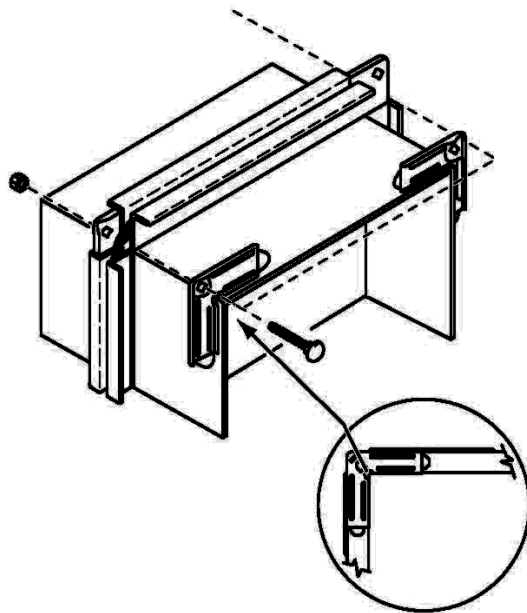




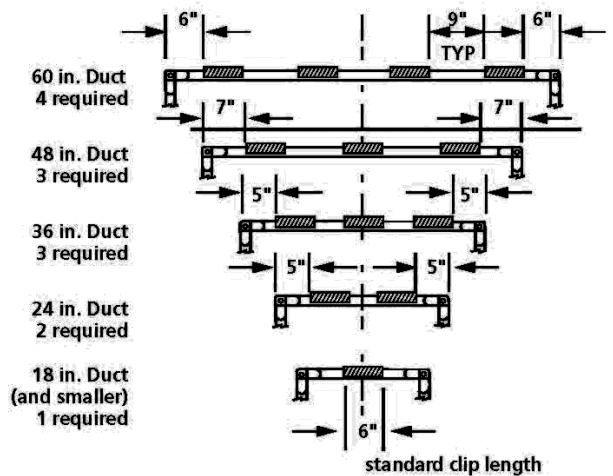
Rectangular Duct & Fittings

BASED ON 3rd Edition 2005 SMACNA STANDARDS

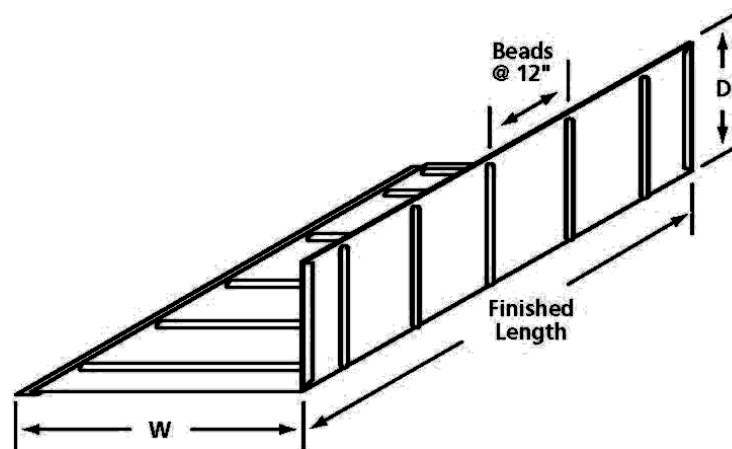
TDF Connection



Recommended Clip Spacing



Straight Duct



56" finished length with TDF 59" finished length with drive cleat edges 60" length with ends unfinished.