

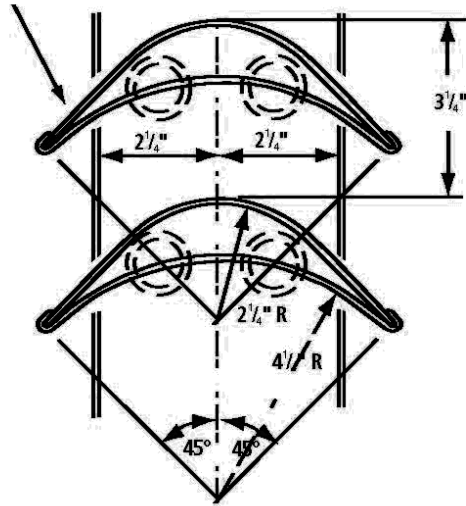


Rectangular Vanes

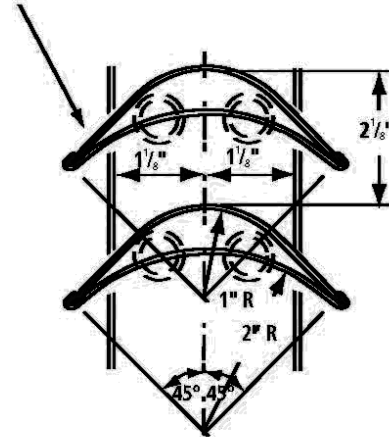
BASED ON 3rd Edition 2005 SMACNA STANDARDS

Dual Wall Vanes

24 ga MIN.



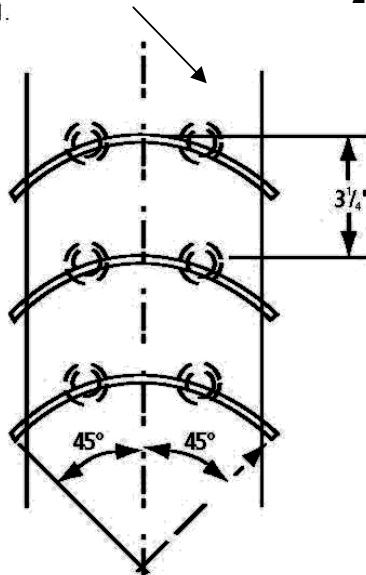
25 ga MIN.



Single Wall Vanes

22 ga MIN.

22 ga MIN.



24 ga MIN.

24 ga MIN.

